

DS-QAZ1606G1-BE
Network Frameless Ceiling Speaker PoE 6W



- 6.5 inch network ceiling speaker
- Rated power: 6W
- Sensitivity(1 m, 1 W): 88 dB
- Max. SPL: 94 dB
- Frequency Response: 140Hz~15kHz(-10dB)
- Support PoE
- White or black appearance optional

▪ Specification

Microphone	
Type	MEMS
Amount	2
Frequency Response	100 Hz to 10 kHz
Sensitivity	-38dBV/Pa
Protocol	
Network Protocol	IPv4, HTTP, HTTPS, SIP, SSL/TLS, DNS, NTP, TCP, UDP, IGMP, ICMP, DHCP, ARP
Speaker	
Impedance	8Ω
Rated Power	6W
Total Harmonic Distortion (THD)	≤1%
Sensitivity(1 m, 1 W)	88dB
Max. Acoustic Pressure	94dB
Frequency Response	140Hz~15kHz(-10dB)
Speaker Unit	Full frequency: 6.5" × 1
Function	
Audio Algorithm	AEC、AGC、ANS、DRC
Audio Bit Rate	G.711ulaw (64 Kbps) /G.711alaw (64 Kbps) /MP3 (128 Kbps)
Network	
Client	Hik-Connect, ivms/4200, HikCentral Professional, Hik-Partner Pro, NVR, MileStone
Interface	
Alarm	Alarm in
Network Interface	RJ45 10 M/100 M Adaptive Ethernet port × 1
Local Storage	Built-in 64 GB EMMC (Audio file storage is 55 GB.)
Audio In	3.5 mm audio interface × 1
LED Indicator	Solid green: normal working Flashing green: intercom in progress Solid red: start or network disconnection Flashing red: upgrading
Reset	Support
General	
Power	24 VDC ± 10%, 5 A, max. 60 W,PoE: 50 V to 70 V, 0 A to 1.6 A, max. 71W
Material	Main body: PC Base: ABS
Dimension	φ242.78mm X 192.7mm
Weight	Approx. 2.7 kg (5.95 lb.)
Language	5 languages: English, French, Spanish, German, Italian
Package Dimension	305mm×305mm×315mm
With Package Weight	Approx. 2.9 kg (6.49 lb.)
Packing List	Device × 1 Regulatory Compliance and Safety Information × 1 2-pin phoenix connector × 1 4-pin phoenix connector × 1
Bluetooth	Bluetooth 5.0, 10 m

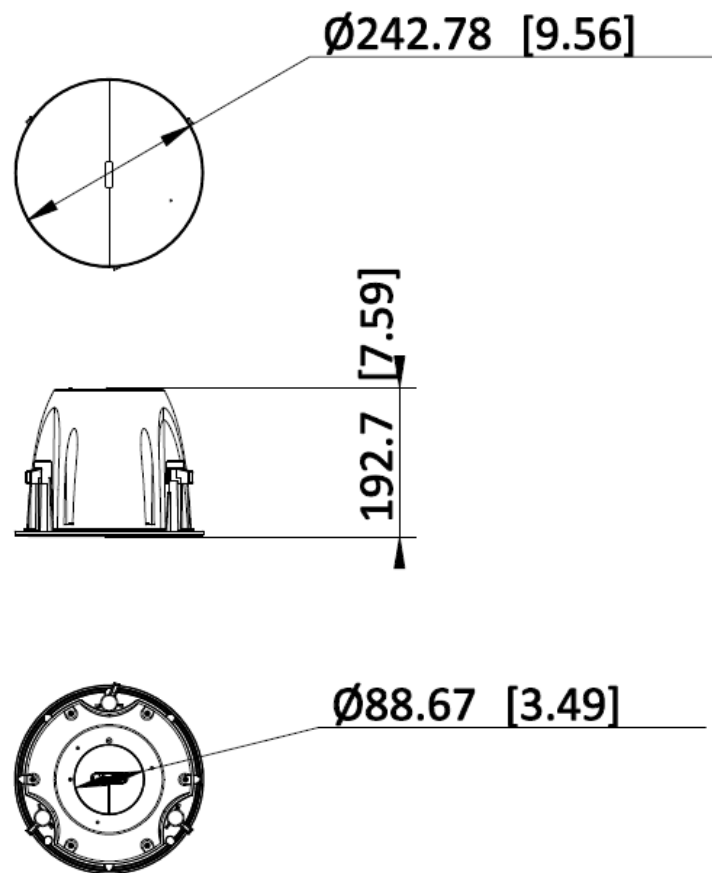
Operating Temperature	-10 °C to 45 °C
Operating Humidity	< 90% (No condensation)

▪ **Available Model**

DS-QAZ1606G1-BE

DS-QAZ1606G1-BE/BLACK

▪ **Dimension**



Unit: mm [inch]

SCALE	1:1
-------	-----

See Far, Go Further



www.hikvision.com
support@hikvision.com

