

DS-K4H255S Single Door Magnetic Lock



The DS-K4H255S Single-Door magnetic lock is designed for wooden door, glass door, and metal door. Aluminum is the main material. The maximum thrust of the lock is 272 kg (600 Lbs). It can be used for controlling door opening/closing. Special anti-residual magnetism designed makes the access control automation safer and electric lock more durable.

- Magnetic lock supports up to 272 kg (600 Lbs) of thrust
- Power supply can be 12 VDC or 24 VDC, (default voltage is 12 VDC)
- Suitable for wooden door, glass door, metal door
- High strength material, anodized aluminum housing
- Magnetic lock, completely using electromagnetic suction work
- Abrasion-proof materials

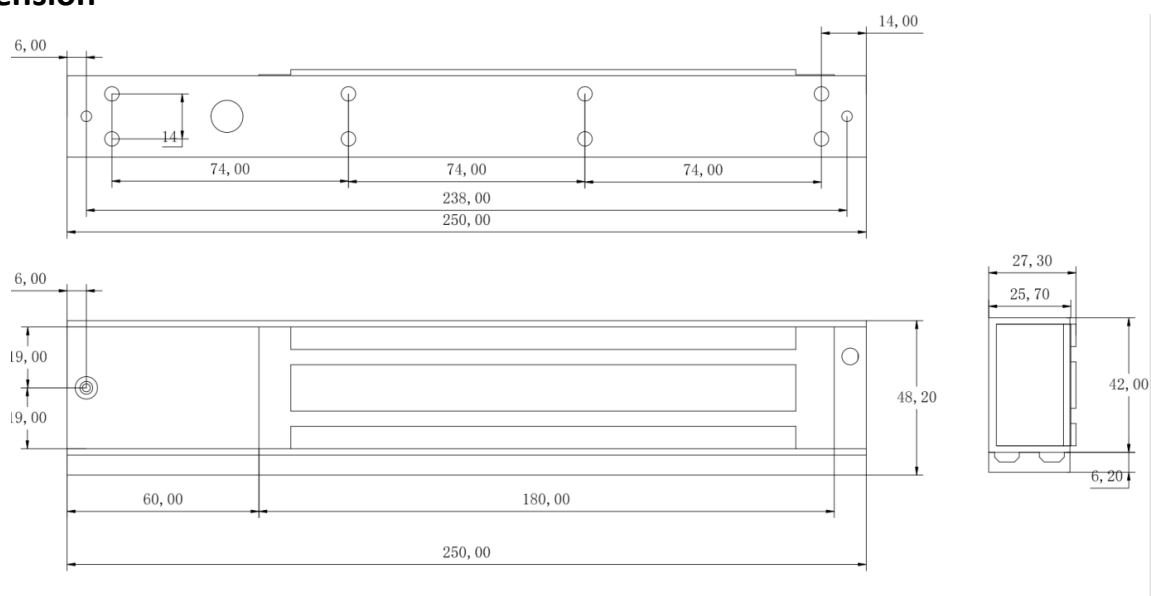
▪ Specification

General	
Power supply	12 VDC to 24 VDC, 470 mA to 235 mA
Working temperature	-10 °C to 55 °C (14 °F to 131 °F)
Working humidity	0 to 95 % (relative humidity)
Dimensions	Lock Body: 250 mm × 28 mm × 48 mm (9.8" × 1.1" × 1.9") Armature Plate: 180 mm × 38 mm × 12 mm (7.1" × 1.5" × 0.5")
Weight	1.9 kg (4.2 lb)
Material	Shell: hard Anodizing Electroplating Operated Lock Body: eco-friendly Zinc Electroplating Operated Armature Plate: eco-friendly Zinc Electroplating Operated
Door type	Glass door, wooden door, and metal door
Thrust	Max. 272 kg (600 Lbs)
Magnetic Lock	
Unlock method	Current Interruption

▪ Available Model

DS-K4H255S

▪ Dimension



Headquarters

No.555 Qianmo Road, Binjiang District,
Hangzhou 310051, China
T +86-571-8807-5998
www.hikvision.com



Follow us on social media to get the latest product and solution information.



▪ Accessory**▪ Included**

DS-K4H255-LZ Value Magnetic Locks	DS-K4H255-U Value Magnetic Locks
	

Headquarters

No.555 Qianmo Road, Binjiang District,
Hangzhou 310051, China
T +86-571-8807-5998
www.hikvision.com

Follow us on social media to get the latest product and solution information.



Hikvision



HikvisionHQ



HikvisionHQ



Hikvision_Global

Hikvision
Corporate Channel

hikvisionhq

